

ACC. 89403 – WALL MOUNTING KIT MATRIX II

ASSEMBLY PROCEDURE

ASSEMBLY PROCEDURE

Step 1: Take off the four bolts beneath the lateral wings of the indicator. Carefully remove the superior cover until being able to unplug the cable which links the display board with the CPU board. Finish removing the superior cover.

Step 2: Assemble piece 1 on both lateral wings by means of the four bolts, washers and nuts.

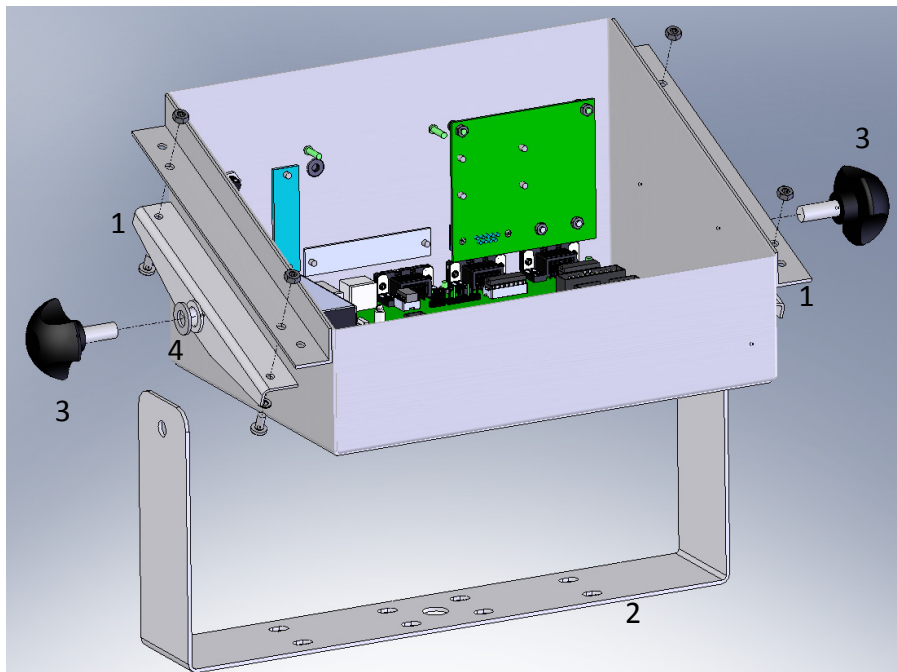


Figure 1

Step 3: Assemble support 2 to the thread of the pieces 1 by means of the knob 3 placing the washer 4 between foot 2 and piece 1.

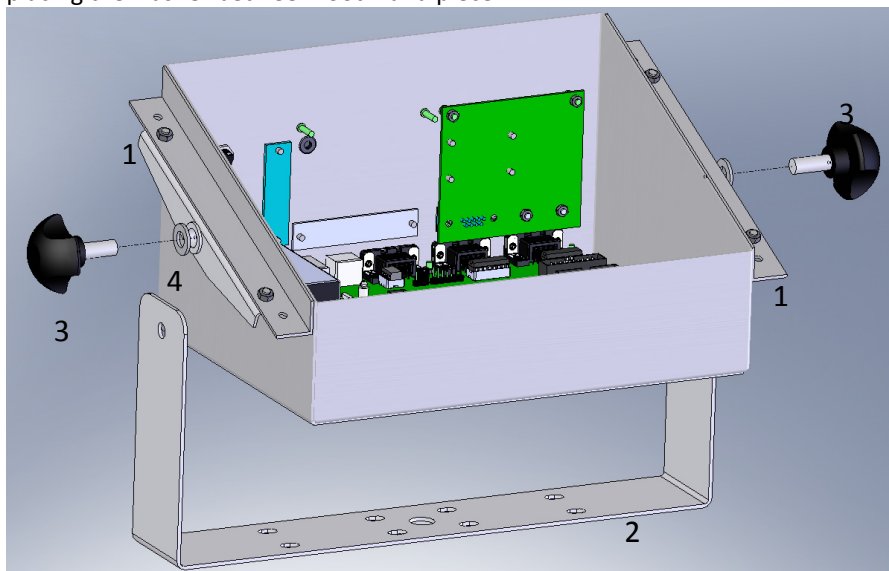


Figure 2

Thus, the accessory will be assembled:

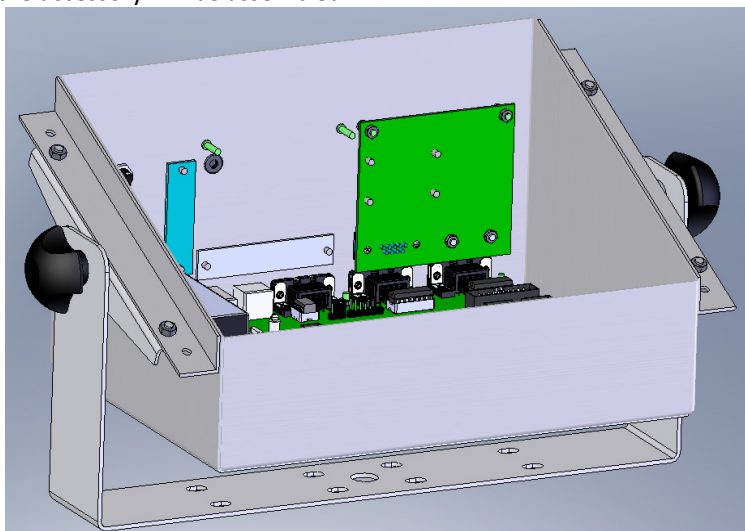


Figure 3

Step 4: Plug again the display board to the CPU and close the superior board by means of the four bolts.

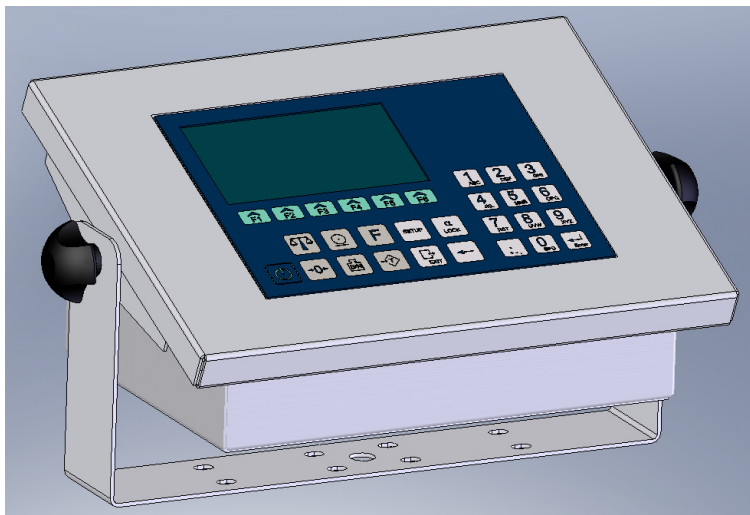


Figure 4

NOTE: There is the possibility of assembling the superior cover turned 180°. This way the cables connected to the rear part will directly fall down.

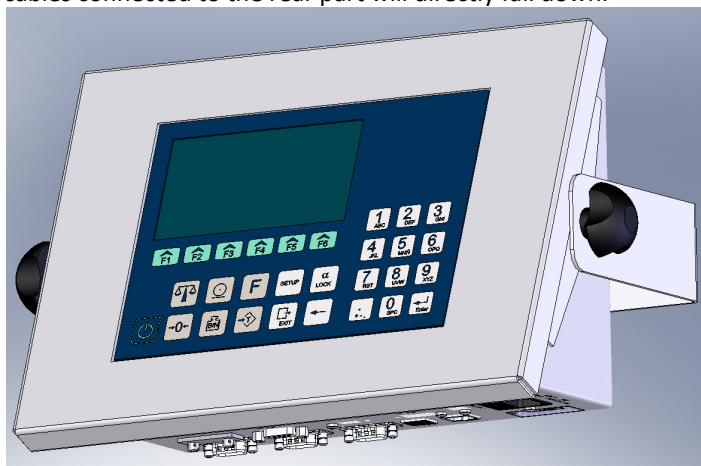


Figure 5

END OF PROCEDURE.