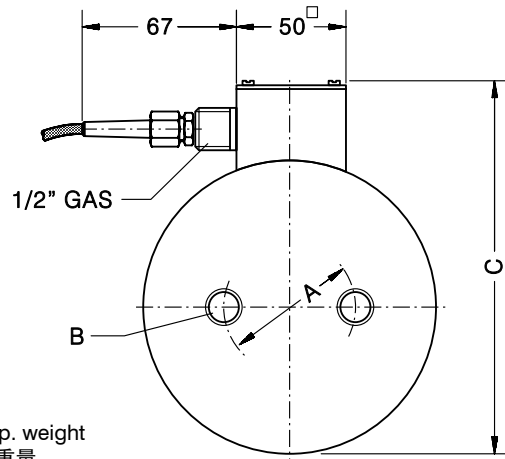


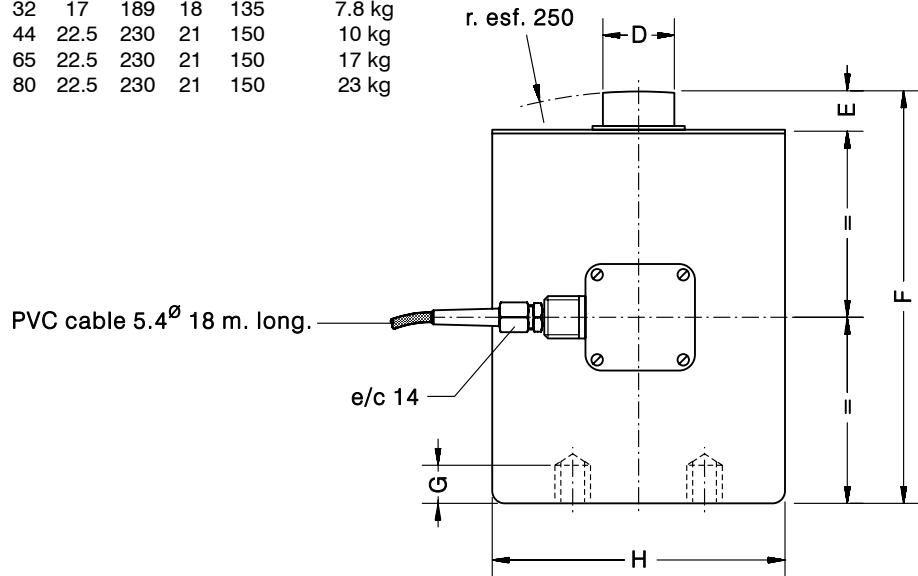
- Compression load cell
- Measuring element from Alloy Steel
- 3000 divisions OIML R60 class C *
- Hermetic, protected IP 68 (EN 60529)
- Protected against corrosion by epoxy painting
- 6 wire (senses) electrical connection
- Application: Tanks, silos and vehicle weighing systems with highly linear requirements
- Option for high temperature applications
- 压式称重传感器
- 合金钢测量元件
- 3000分度, OIML R60 C*级
- 焊接密封, 保护等级 IP68(EN 60529)
- 环氧树脂涂层保护,防腐
- 六线制电缆连接
- 应用: 料仓、料斗、料罐、汽车衡等线性要求高的称量系统
- 高温可选

Model 型号	Nominal capacity 量程 Ln	Accuracy class 准确度等级 * n. OIML	Minimum division 最小分度值 vmin	Minimum load 最小称量 5 % Ln	Service load 最大称量 120 % Ln	Safe load limit 安全载荷极限 150 % Ln
700 10 t	10 t	3000	1.4 kg	500 kg	12 t	15 t
700 15 t	15 t	3000	2 kg	750 kg	18 t	22 t
700 20 t	20 t	3000	2.7 kg	1000 kg	24 t	30 t
700 25 t	25 t	3000	3.4 kg	1250 kg	30 t	37 t
700 30 t	30 t	3000	4 kg	1500 kg	36 t	45 t
700 40 t	40 t	3000	5.4 kg	2000 kg	48 t	60 t
700 50 t	50 t	3000	6.7 kg	2500 kg	60 t	75 t
700 60 t	60 t	3000	8 kg	3000 kg	72 t	90 t
700 70 t	70 t	3000	9.4 kg	3500 kg	84 t	105 t
700 100 t	100 t	1000	50 kg	5000 kg	120 t	150 t
700 150 t	150 t	1000	75 kg	7500 kg	180 t	225 t
700 200 t	200 t	1000	100 kg	10.000 kg	240 t	300 t

MODEL 700



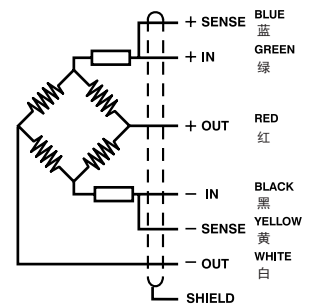
Nominal load 量程	A \emptyset	B	C	D \emptyset	E	F	G	H \emptyset	Transp. weight 重量
10 t	60	M-16	172	32	17	126	18	135	4.6 kg
15-20-25-30 t	60	M-16	172	32	17	189	18	135	7.8 kg
40-50-60-70 t	90	M-20	187	44	22.5	230	21	150	10 kg
100 t	90	M-20	187	65	22.5	230	21	150	17 kg
150-200 t	90	M-20	187	80	22.5	230	21	150	23 kg



Dimensions in mm. 单位: mm.

SPECIFICATIONS			技术参数
Nominal capacities (Ln)	10-15-20-25-30 40-50-60-70 100-150-200	t	量程 (Ln)
Accuracy class	3000	n. OIML (4)	准确度等级
Minimum dead load	5	%Ln	最小静载荷
Service load	120	%Ln	最大称量
Safe load limit	150	%Ln	安全载荷极限
Total error	< ± 0.017	%Sn (1) (5)	综合误差
Repeatability error	< ± 0.015	%Sn (5)	重复性误差
Temperature effect: on zero	< ± 0.01	%Sn/5 °C	温度影响: 零点
on sensitivity	< ± 0.006	%Sn/5 °C	灵敏度
Creep error (30 minutes)	< ± 0.016	%Sn (5)	蠕变 (30分钟)
Temperature compensation	-10...+40	°C	温度补偿
Temperature limits	-20...+70	°C	温度极限
Nominal sensitivity (Sn)	2 \pm 0.1%	mV/V	灵敏度
Nominal input voltage	10	V	激励电压
Maximum input voltage	15	V	最大激励电压
Input impedance	405 \pm 25	Ω (2)	输入阻抗
Output impedance	350 \pm 3	Ω (3)	输出阻抗
No load output	< ± 2	%Sn	空荷输出
Insulation resistance	> 5000	M Ω	绝缘电阻
Maximum deflection (at Ln)	0.2-0.4	mm	最大变形位移 (量程内)

ELECTRICAL CONNECTION 电气连接:



«SENSES»: 2 additional wires to maintain a constant voltage supply at the load cell when used with proper instrumentation. Use specially when long wires and wide temperature range.

SHIELD: Not connected to transducer body.

(感应): 传感器与仪表一起使用时, 增加两条感应线, 以保证传感器供桥电压的稳定; 电缆较长及温度范围较大时, 更应使用。

屏蔽: 不与传感器外壳连接。

(1) Total error: Non Linearity and Hysteresis / 综合误差: 非线性误差和滞后误差

(2) 800 Ω Ln > 30 t

(3) 700 Ω Ln > 30 t

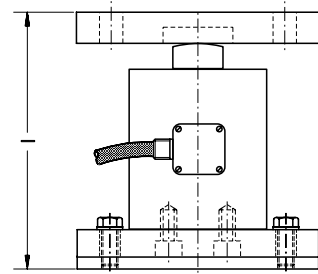
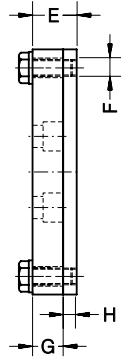
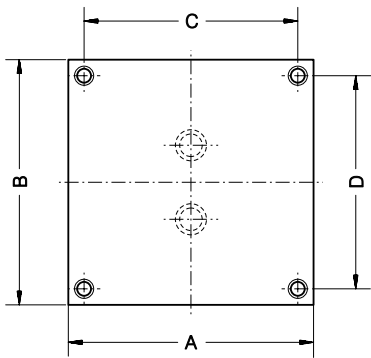
(4) 1000 n. OIML 100-150-200 t

(5) $\leq \pm 0.05$ % Sn 100-150-200 t

PLATES FOR MODEL 700

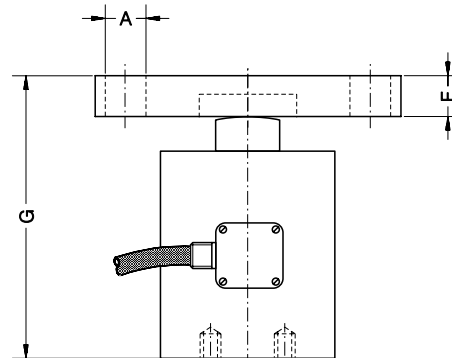
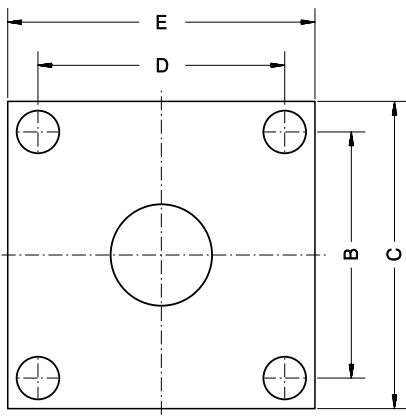
MOD.700安装附件底板

Acc. 72902 / 72905: Base plates for Mod. 700 / Mod.700底板+焊接板

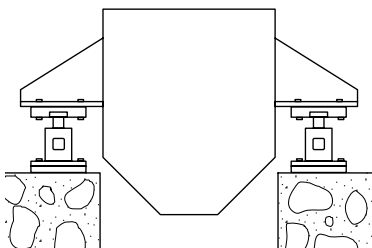


Accessory 附件	Model 型号	A	B	C	D	E	F	G	H	Transp.weight 重量	Accessory 附件	Model 型号	I
72902	700 (10-15-20-25-30 t)	200	200	174	174	35	M-14	25	10	11.5 kg	72902 + 72906	700 (10 t)	186
72905	700 (40-50-60-70 t)	200	200	174	174	45	M-16	30	15	15 kg		72905 + 72907	700 (15-20-25-30 t)
												700 (40-50-60-70 t)	310

Acc. 72906 / 72907: Top plate bearing for Mod. 700 / Mod.700上板



Accessory 附件	Model 型号	A \varnothing	B	C	D	E	F	G	Transp. weight 重量
72906	700 (10 t)	14.5	174	200	174	200	25	151	7.70 kg
	700 (15-20-25-30 t)	14.5	174	200	174	200	25	214	7.70 kg
72907	700 (40-50-60-70 t)	16.5	174	200	174	200	35	265	11 kg



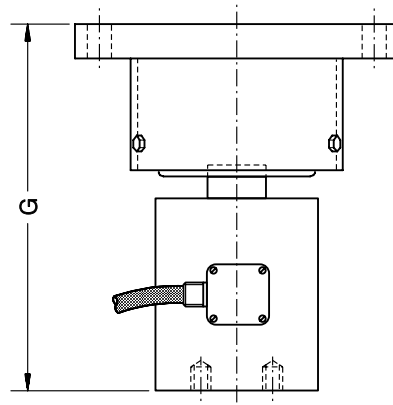
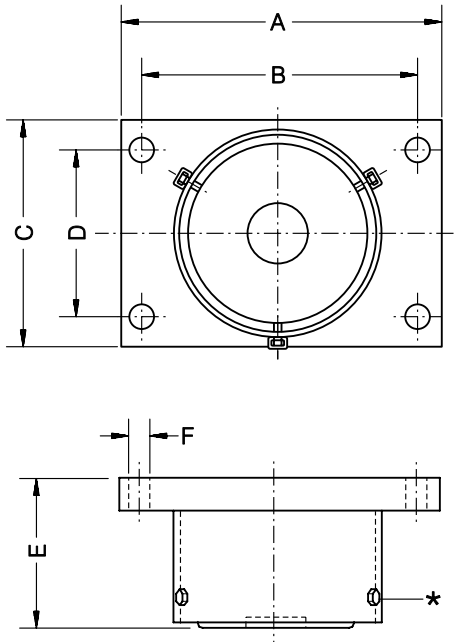
The upper support **72906 - 72907**, has a high hardness plate to avoid load cell damage. This accessory is suitable for structures that have not to support important dilation or lateral forces.

安装附件上板**72906-72907**中镶有一个硬度块，可以避免称重传感器损坏，保证称重传感器的高精度；该附件适合于简易安装的称重模块，不具有防侧向力功能。

Dimensions in mm. 单位: mm.

SELF-ALIGNING BALL BEARING SUPPORT FOR MOD. 700

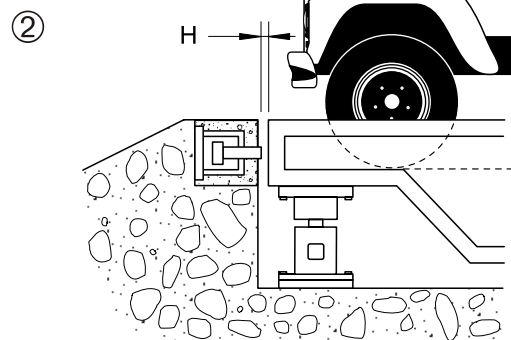
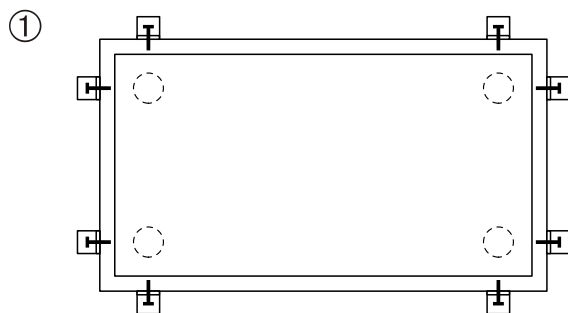
MOD.700自复位安装附件



Accessory 附件	Model 型号	A	B	C	D	E	F \varnothing	G	Transp. weight 重量
72903	700 (≤ 30 t)	270	230	180	140	119.5	18.5	307	14.40 kg
72904	700 (40-50-60-70 t)	270	230	220	160	161.5	18.5	389.5	30 kg

"*" set of three screws is transport lock and the screws must be taken out when setting the accessory, because they fix the balls.

为三枚运输锁螺丝。由于该螺丝会锁紧压头，所以在安装附件过程中，需要取出该螺丝。



Using accessories **72903 - 72904** the platforms admit the use of tie rods or stoppers. If stoppers are used ① it must be left a maximum spread ② of: $H < 6$ mm. We recommend to clean and to grease periodically the internal balls.

使用acc.72903-72904，平台称重允许使用限位拉杆或者限位装置。如果限位装置（如图一），请保证地磅限位螺栓与防撞板之间间隙小于6mm（如图二）： $H < 6$ mm。另外我们建议定期清理和润滑地磅限位螺栓和防撞板。

Dimensions in mm. 单位: mm.