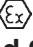
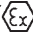
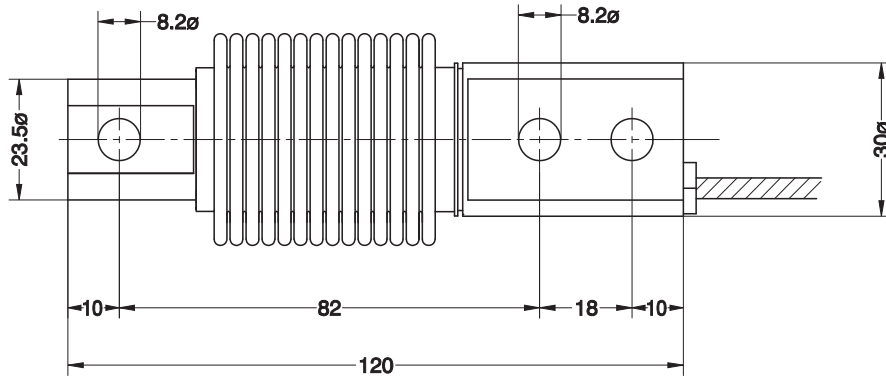
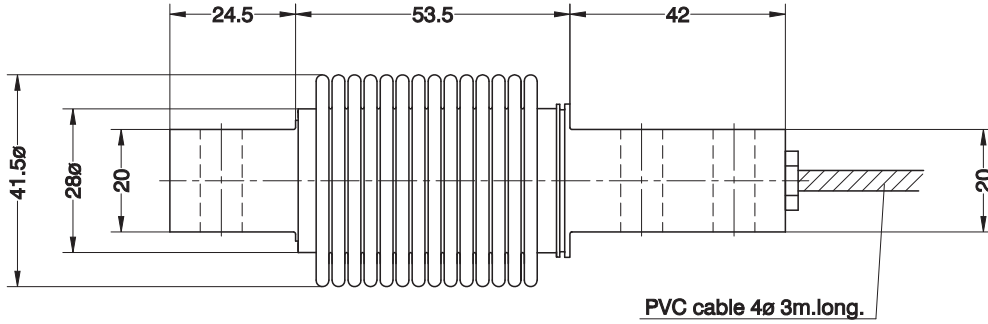


- Bending beam load cell
- Fully Stainless Steel
- 3000/6000 divisions OIML R60 class C
- Hermetically sealed, fully welded
- Protected IP 68 (EN 60529) and IP 69K (ISO 20653)
- Available in **ATEX**  version (optional)
Zone 0-1-2 (gas) and 20-21-22 (dust)
- 双弯曲梁式称重传感器
- 完全不锈钢
- 3000/6000分度 OIML R60 C级
- 完全焊接密封
- 保护等级IP68 (EN 60529) 和IP69K(ISO 20653)
- 防爆可选 **ATEX** 

Model 型号	Nominal capacity 量程 Ln	Accuracy class 准确度等级 n. OIML	Minimum division 最小分度值 vmin	Service load 最大称量 150 % Ln	Safe load 安全载荷极限 200 % Ln
300 5 kg	5 kg	3000	0.5 g	7.5 kg	10 kg
300 10 kg	10 kg	3000	1 g	15 kg	20 kg
300 20 kg	20 kg	3000	2 g	30 kg	40 kg
300 30 kg	30 kg	3000	3 g	45 kg	60 kg
300 50 kg	50 kg	3000/6000	5/2.8 g	75 kg	100 kg
300 75 kg	75 kg	3000/6000	7.5/4.2 g	112 kg	150 kg
300 100 kg	100 kg	3000/6000	10/5.6 g	150 kg	200 kg
300 150 kg	150 kg	3000/6000	15/8.4 g	225 kg	300 kg
300 200 kg	200 kg	3000/6000	20/11.2 g	300 kg	400 kg
300 250 kg	250 kg	3000/6000	25/13.9 g	375 kg	500 kg
300 300 kg	300 kg	3000	30 g	450 kg	600 kg
300 500 kg	500 kg	3000	50 g	750 kg	1000 kg

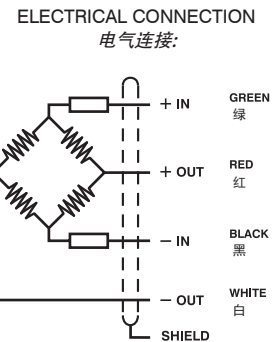
MODEL 300



Dimensions in mm. 单位: mm

Transport weight - 重量: 0.5 kg

SPECIFICATIONS				技术条件
Nominal capacities (Ln)	5-10-20-30-50-75-100-150-200-250-300-500	50-75-100-150-200-250	kg	量程 (Ln)
Accuracy class	3000	6000	n. OI	准确度等级
Minimum dead load	0	0	%Ln	最小静载荷
Service load	150	150	%Ln	最大称量
Safe load limit	200	200	%Ln	安全载荷极限
Total error	< ±0.017	< ±0.008	%Sn (1)	综合误差
Repeatability error	< ±0.015	< ±0.01	%Sn	重复性误差
Temperature effect:				温度影响:
on zero	< ±0.01	< ±0.005	%Sn/5 °C	零点
on sensitivity	< ±0.006	< ±0.003	%Sn/5 °C	灵敏度
Creep error (30 minutes)	< ±0.016	< ±0.008	%Sn	蠕变 (30分钟)
Temperature compensation	-10...+40	-10...+40	°C	温度补偿
Temperature limits	-30...+70	-30...+70	°C	温度极限
Nominal sensitivity (Sn)	2 ±0.1%	2 ±0.1%	mV/V (2)	灵敏度
Nominal input voltage	10	10	V	激励电压
Maximum input voltage	15	15	V	最大激励电压
Input impedance	400 ±20	400 ±20	Ω	输入阻抗
Output impedance	350 ±3	350 ±3	Ω	输出阻抗
No load output	< ±2	< ±2	%Sn	空荷输出
Insulation resistance	> 5000	> 5000	MΩ	绝缘电阻
Maximum deflection (at Ln)	0.2-0.4	0.2-0.4	mm	最大变形位移 (量程内)



(1) Total error: Non Linearity and Hysteresis / 综合误差: 非线性和滞后

(2) Ln ≤ 20 kg, 2 ±0.2%

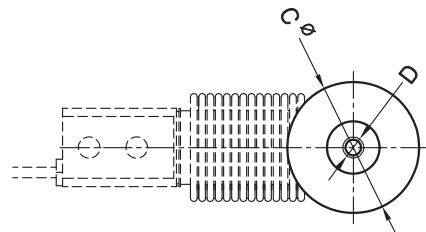
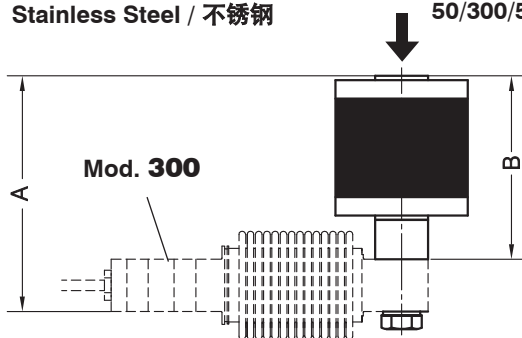
ACCESSORIES FOR MODEL 300
MOD.300安装附件



Acc. **30904**: Silent-block bearing up to 50 kg (blue rubber) / 橡胶减震器 (蓝胶) 最高承重 50 kg
 Acc. **30905**: Silent-block bearing up to 300 kg / 橡胶减震器最高承重 300 kg
 Acc. **30906**: Silent-block bearing up to 500 kg / 橡胶减震器最高承重 500 kg

Stainless Steel / 不锈钢

50/300/500 kg max.

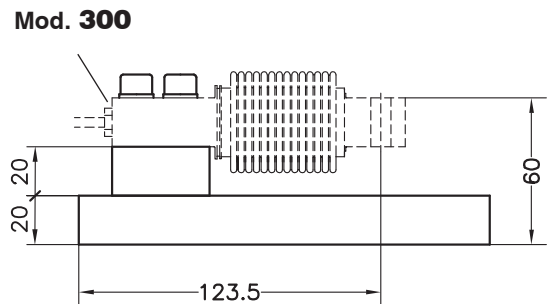
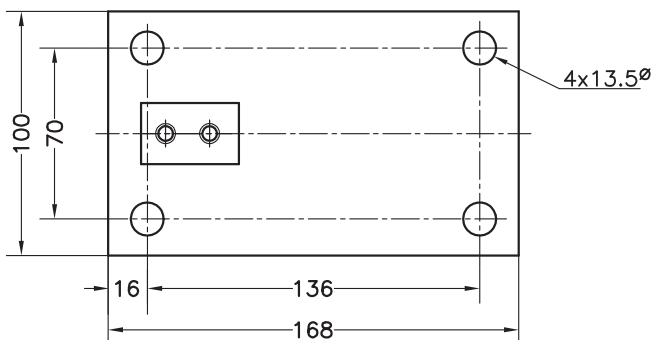


Accessory 附件	A	B	CØ	D
30904-30905	90	70	50	M8
30906	100	80	70	M12

Transport weight - 重量: 0.5 kg

Acc. **30903**: Base plate: Steel zinc-plated / 底板: 合金钢镀锌

Acc. **30903i**: Base plate: Stainless Steel / 底板: 不锈钢



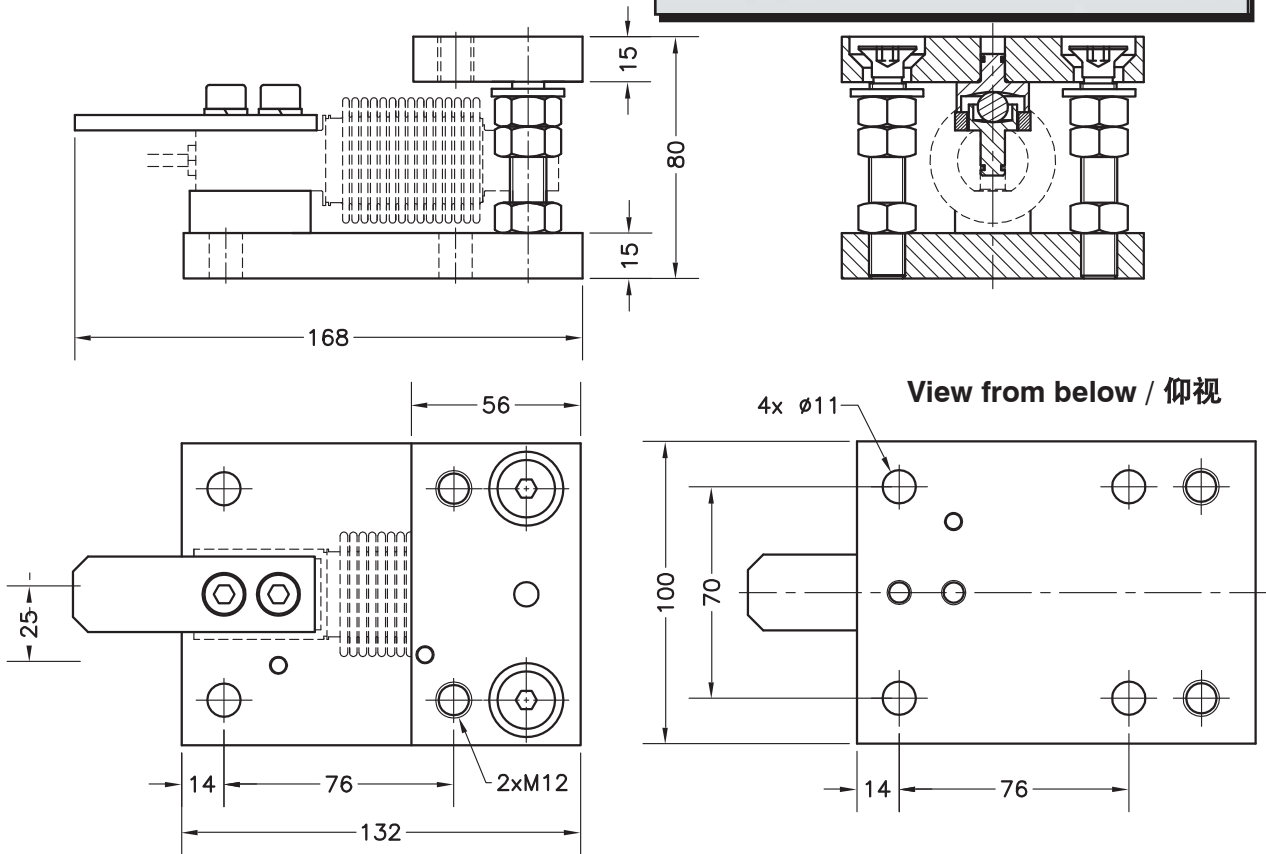
Dimensions in mm. 单位: mm

Transport weight - 重量: 3 kg

MOUNTING-KIT LIFT-OFF PREVENTION FOR MOD. 300

适用于料斗的带限位的安装附件MOD.300

- **Material:**
Alloy steel zinc-plated Acc. 30907
Stainless Steel Acc. 30907i
- **材质:**
合金钢镀锌 Acc. 30907
不锈钢 Acc. 30907i



Accessory 附件	Nominal load 量程	A	B	C	D	E	F	G	H	I	J	Transport weight 重量
35907	0.3...2 t	94	168	100	70	16	136	20	15	15	1	5 kg
35907i	3...5 t	113	212	120	84	18	175	25	18	18	-	8.5 kg

	Alloy steel zinc-plated / 合金钢镀锌	Stainless Steel / 不锈钢
	30907	30907i
Maximum permissible offset transverse to load cell 称重传感器最大横向位移	±2.5 mm	±2.5 mm
Maximum lift-off force 最大倾翻力	40.46 kN	40.46 kN
Maximum force horizontal to load cell 最大横向力	2.53 kN	1.58 kN

Dimensions in mm. 单位: mm

Transport weight - 重量: 2.5 kg